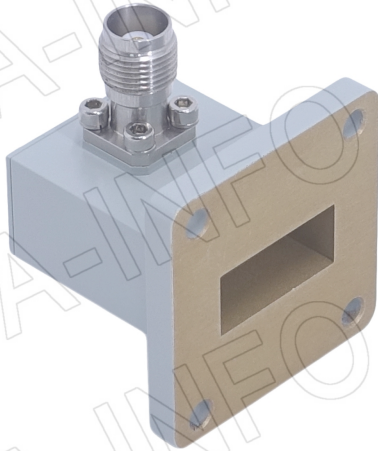


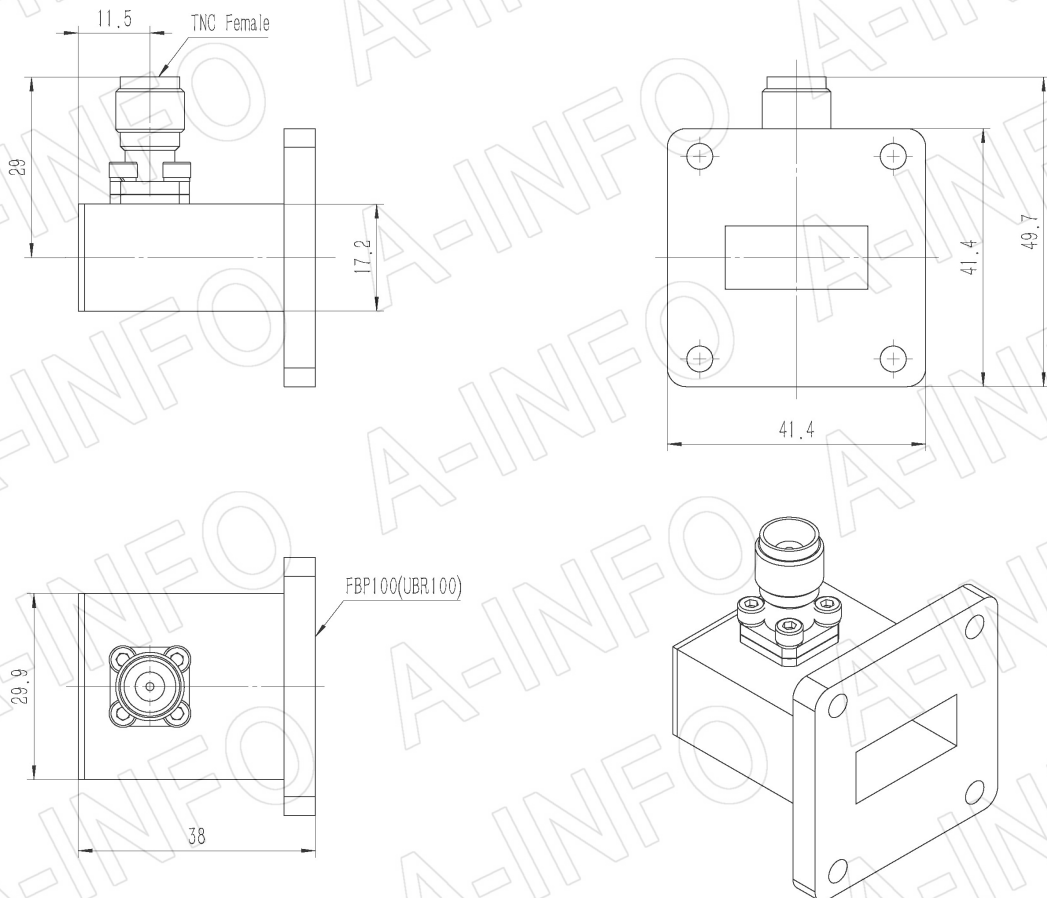
For reference only. See data sheet for the detailed specifications.

## Technical Specification



EIA WR	WR90
Frequency Range(GHz)	8.2 - 12.4
Insertion Loss(dB)	0.2 Max.
VSWR	1.25:1 Max.
Flange	FBP100(UBR100)
Connector	TNC-Female
Average Power(W CW)	150 Max.
Peak Power(KW)	3
Material	Al
Finish	Chemical Conversion Coating, Gray Paint
Size(mm)	38 x 41.4 x 49.7
Net Weight(Kg)	0.06 Around

## Outline Drawing (Size: mm)



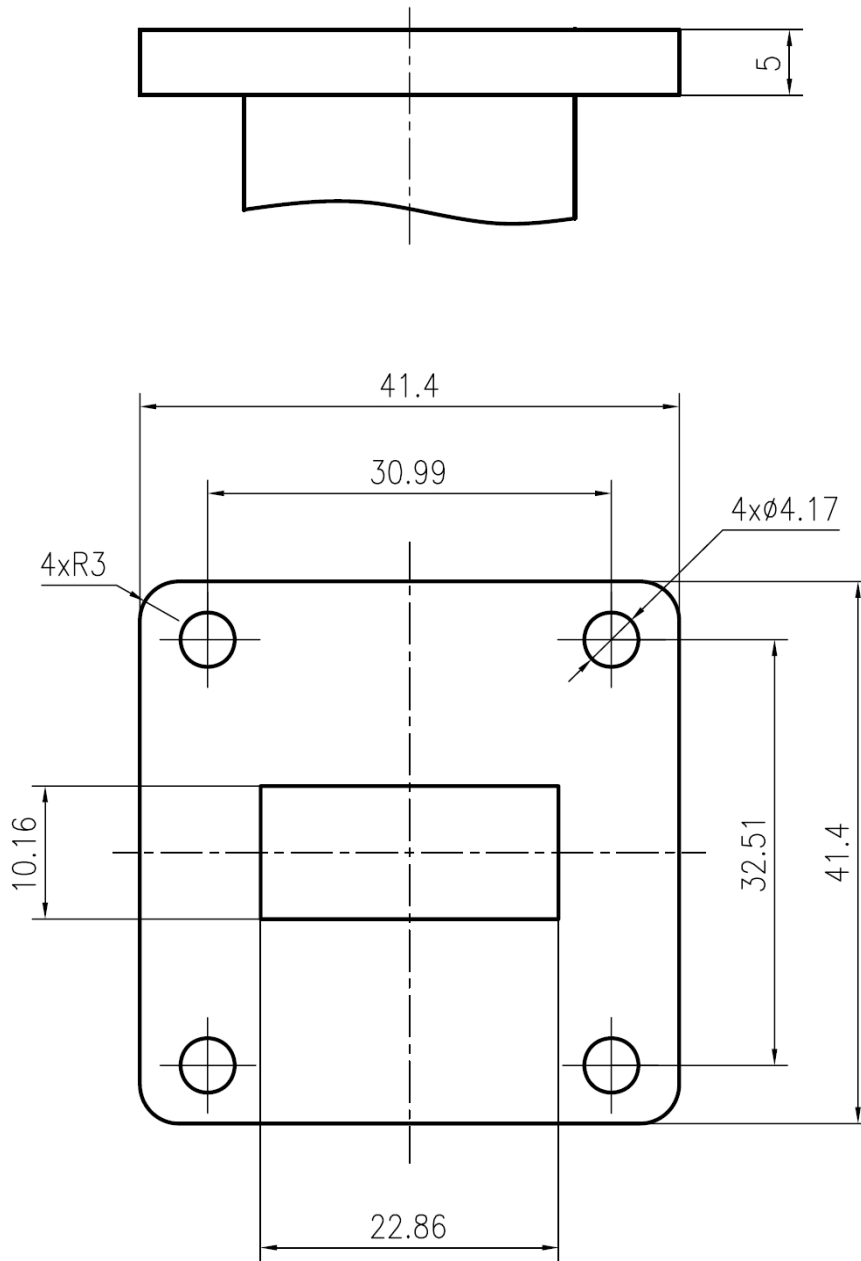
## AINFO Inc.

China(Beijing): Tel: (+86) 10-6266-7326,  
China(Chengdu): Tel: (+86) 28-8519-2786,  
USA : Tel: (+1) 949-639-9688,

Page 1 of 3  
(+86) 10-6266-7327 Fax: (+86) 10-6266-7379  
(+86) 28-8519-3044 Fax: (+86) 28-8519-3068  
(+1) 949-639-9608 Fax: (+1) 949-639-9670

Website: [www.ainfoinc.com](http://www.ainfoinc.com)  
Email: [sales@ainfoinc.com](mailto:sales@ainfoinc.com)

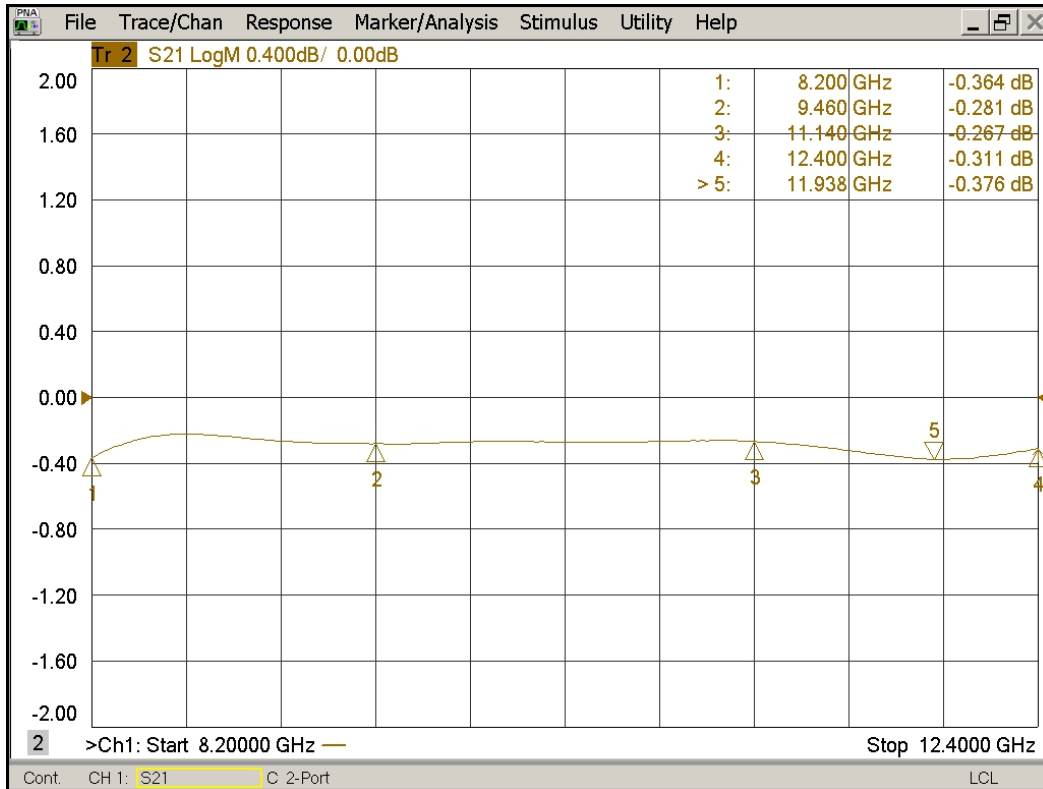
## Flange Drawing (Size: mm)



### FBP100

## Test Results

I.L.(Test with two adapters back to back)



## VSWR

